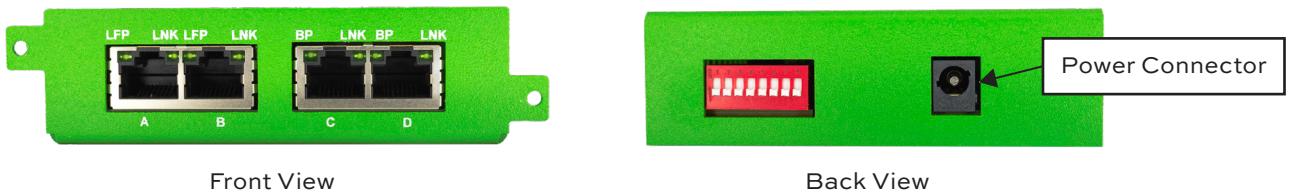


The CTAP-P1GCCREG acts as a “data diode”, physically forcing traffic to flow in only a single direction. The CTAP-P1GCCREG finds its niche protecting the source of data streams like switch SPAN ports and network links between networks with different security requirements. When traffic is locked down to a unidirectional path, packet injection becomes impossible and control over the network can be enforced at a physical level.

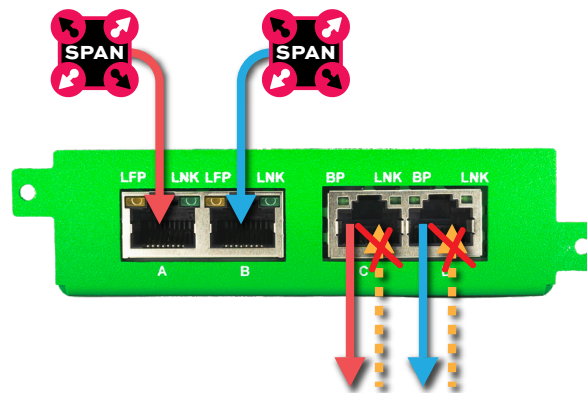
The CTAP unit is designed to isolate 10/100/1000Mbps copper network ports. This Hardware Data Diode NOT allow traffic from the monitor ports to egress into the Network ports.



This Hardware Data Diode provides a copy of traffic from Network Port A to Monitor Port A, and Network Port B to Monitor Port B.

### Traffic Flow

Monitor Port A provides traffic ingressing on Network Port A  
Monitor Port B provides traffic ingressing on Network Port B



*This document is for informational purposes only. The information in this document, believed by Garland Technology to be accurate as of the date of publication, is subject to change without notice. Garland Technology assumes no responsibility for any errors or omissions in this document and shall have no obligation to you as a result of having made this document available to you or based upon the information it contains. ©2025 Garland Technology LLC. All Rights Reserved.*

## DIP Switch Settings

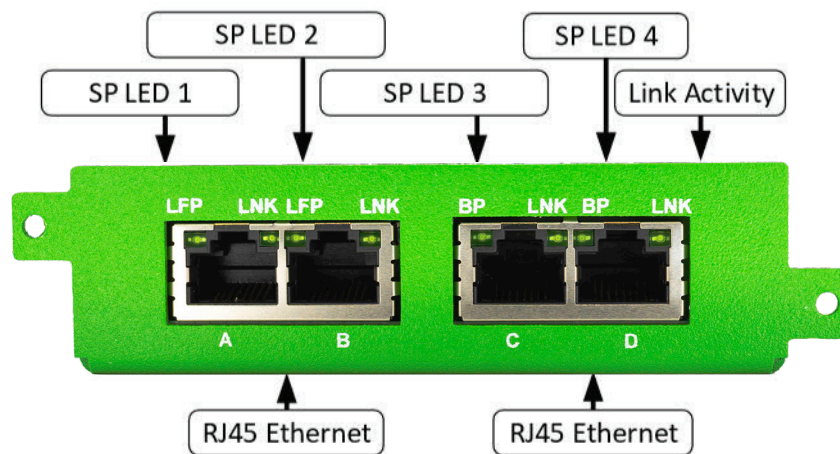
Mode	Switch 1 (Speed_1)	Switch 2 (Speed_2)	Switch 3 Duplex	Switch 4 LFP	Switch 5, 6, 7, 8
1Gbps	ON	ON	ON = AUTO OFF = FULL	ON = LFP ON OFF = LFP Off	
100Mbps	OFF	ON	ON = AUTO OFF = FULL	ON = LFP ON OFF = LFP Of	
10Mbps	ON	OFF	ON = AUTO OFF = FULL	ON = LFP ON OFF = LFP Of	
Sync Mode	OFF	OFF	Forces AUTO ON Switch has no effect	Forces LFP ON Switch has no effect	For future use
Garland technology's unique Synchronization Mode provides a plug-and-play zero configuration design. Network ports [A] and [B] will synchronize to determine the highest supported network speed, drop link across all ports, and then only advertise and link to the highest supported common network speed on all ports. See LED section for how you know what speed the TAP connects.					

The unit is shipped with all switches in the up (ON) position. The Hardware Data Diode will be configured with all ports in 1Gbps, duplex in AUTO mode and LFP is on.

To change the ports to 100Mbps mode, move switch 1 to the down (OFF) position and power cycle the device. (any switch setting changes need to be followed by a power cycle for the change to take effect)

## LED Labeling

The LNK LEDs are solid when link is achieved and flashes when Ethernet activity is detected. When in Sync Mode, the SP LEDs will show you what speed has been synchronized for the link.



*This document is for informational purposes only. The information in this document, believed by Garland Technology to be accurate as of the date of publication, is subject to change without notice. Garland Technology assumes no responsibility for any errors or omissions in this document and shall have no obligation to you as a result of having made this document available to you or based upon the information it contains. ©2025 Garland Technology LLC. All Rights Reserved.*

The table below shows the definition of the SP LEDs:

LED Indicators based on Speed Settings	Switch 1	Switch 2	SP LED 1	SP LED 2	SP LED 3	SP LED 4
1Gbps	ON	ON	Indicated lost link. If Amber - lost link on Port A	Indicates Lost Link. If Amber - lost link on Port B	ON	ON
100Mbps	OFF	ON			ON	OFF
10Mbps	ON	OFF			OFF	ON
Sync Mode	OFF	OFF	Indicates 1G	Indicates 100M	Indicates 10M	Indicates Negotiation

*This document is for informational purposes only. The information in this document, believed by Garland Technology to be accurate as of the date of publication, is subject to change without notice. Garland Technology assumes no responsibility for any errors or omissions in this document and shall have no obligation to you as a result of having made this document available to you or based upon the information it contains. ©2025 Garland Technology LLC. All Rights Reserved.*